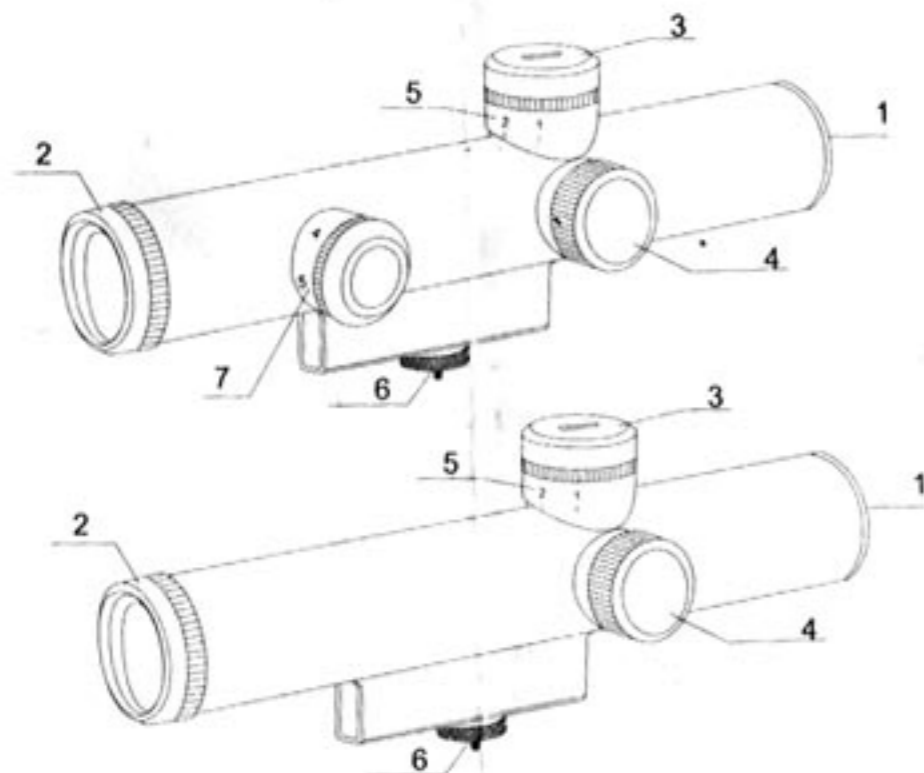


# INSTRUCTIONS FOR LEAPERS 3-9X28/4X28 AR-15 RIFLE SCOPE



- |                             |                            |
|-----------------------------|----------------------------|
| 1. Objective                | 5. Bullet Drop Compensator |
| 2. Eyepiece Adjustment Ring | 6. Knurled Thumb Nut       |
| 3. Elevation Adjustment     | 7. Power Selector Ring     |
| 4. Windage Adjustment       |                            |

**MODLE:** SCP-428  
 Magnification: 4X  
 Objective Dia: 28 mm  
 Tube Dia: 34 mm  
 Field of View: 29' @ 100 yards  
 Eye Relief: 3 inches  
 Exit Pupil: 7 mm  
 Length: 7.5 inches  
 Weight: 11 oz

**MODLE:** SCP-3928  
 Magnification: 3X-9X  
 Objective Dia: 28 mm  
 Tube Dia: 34 mm  
 Field of View: 40'-14.5' @ 100 yards  
 Eye Relief: 3-2.5 inches  
 Exit Pupil: 9.3-3.1 mm  
 Length: 7.5 inches  
 Weight: 12.5 oz

WORLDWIDE FIRST 3X-9X variable AR-15 scope with bullet drop compensator for 100 to 500 meters usage. Designed with the tightest tolerance and finest multi-coated clear optics that deliver reliable and consistent performance. Features an integrated mount base and a separate flat top adapter for AR-15/M-16 rifles with carry handle and/or flat top Weaver rail. REVOLUTIONARY power ring design for sensitive power changes and ease of use. It is the most versatile, desirable AR-15/M-16 variable scope for years to come.

## A. Adjusting the Diopter:

Different people have different diopter requirements. Thus, it is necessary to adjust the diopter of the eyepiece before use. To adjust the diopter:

1. Look through the eyepiece at a featureless, flat and bright area, such as a wall or open sky.
2. If the reticle image is not sharply defined with the eyepiece adjustment ring to adjust the image.
3. Repeat the steps until you are satisfied with the sharpness of the image.

**CAUTION:** Viewing the sun can cause serious eye injury. Never directly look at the sun with this scope.

## B. Mounting the Scope:

Your scope comes with all the hardware necessary to attach it to your AR-15 rifle with carry handle or AR-15 rifle with flat top Weaver rail.

1. **AR-15 Rifle with Carry Handle:** The scope is mounted to the handle with the integral mount base and the knurled thumb nut. To attach the scope to the carry handle, follow the instructions below.
  - 1) Separate the knurled thumb nut and o-ring from the mount base of the scope.
  - 2) Place the integral mount base on the scope into the carry handle of your AR-15, insuring the bolt fits through the hole in the carry handle.
  - 3) Re-attach the o-ring and knurled thumb nut to the bolt from inside of the carry handle. Tighten the knurled thumb nut securely.
2. **AR-15 Rifle with Flat Top Weaver Rail:** The scope comes with a flat top adapter for you to install the scope/adapter combo to a AR-15 rifle with flat top rail. Follow the instructions below.
  - 1) Separate the knurled thumb nut and o-ring from the mount base of the scope.
  - 2) Place the integral mount base on the scope into the flat top adapter, insuring the bolt fits through the hole in the adapter.
  - 3) Re-attach the o-ring and knurled thumb nut to the bolt from inside of the carry handle. Tighten the knurled thumb nut securely.
  - 4) Install the scope/adapter combo onto the AR-15 Weaver flat top rail. The two side screws on the adapter are used to secure the combo with the flat top Weaver rail. Both side screws can be moved back and forth to adjust the mounting position.

## C. Truing the Scope:

The purpose of truing the scope is to make the aim point of the scope the same